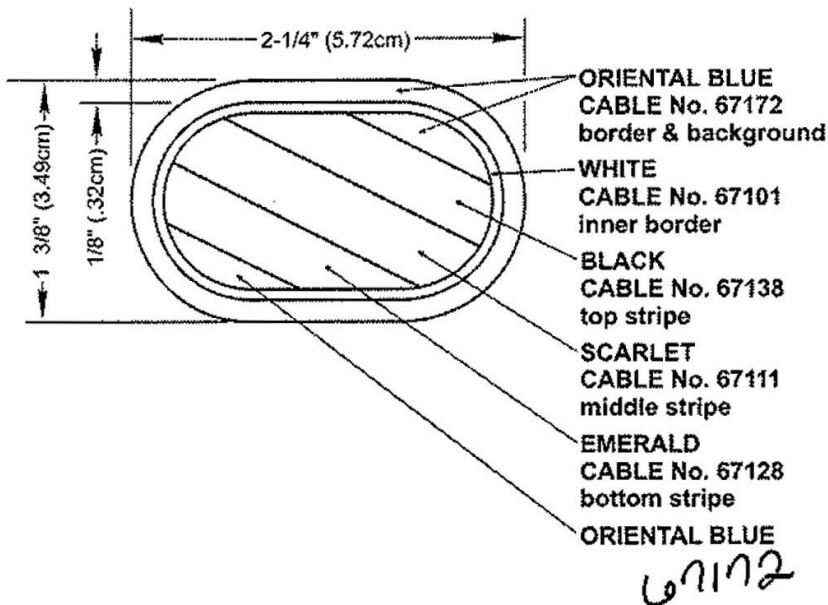


REVISIONS

LTR	DESCRIPTION	DATE	APPROVED
-----	-------------	------	----------



DESIGNED FOR OVEREDGE STITCHING

UNLESS OTHERWISE SPECIFIED DIMENSIONS ARE IN INCHES TOLERANCES ON FRACTIONS DECIMALS ANGLES

THE INSTITUTE OF HERALDRY, DEPARTMENT OF THE ARMY  
9325 GUNSTON RD, RM S-113 FORT BELVOIR, VA 22060-5579

EXAMINED	SAO	
CHECKED	pm	SAO
PREPARED	CLH	

BACKGROUND TRIMMING FOR

416TH CIVIL AFFAIRS BATTALION

MATERIALS:  
TO BE MANUFACTURED IN ACCORDANCE WITH MIL-DTL-14852

APPROVED  
*Charles V. Mugno*  
CHARLES V. MUGNO  
DIRECTOR

SIZE CONTROL IDENT. NO  
**A 22571**

**A-6-296**

SCALE FULL DATE 06 MAY 2011